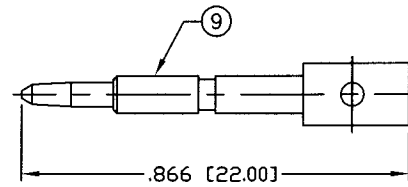
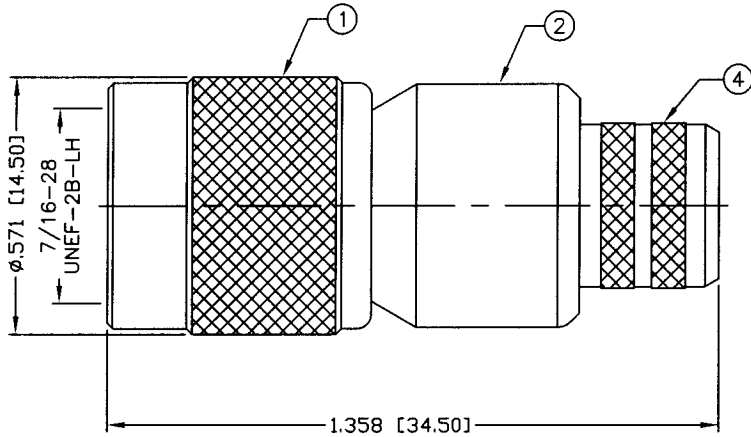


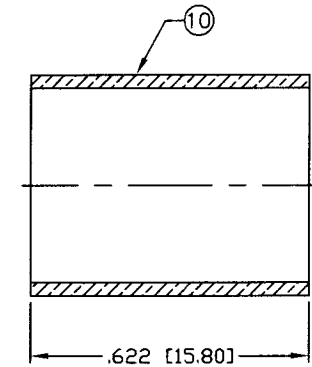
THIS DRAWING CONTAINS INFORMATION PROPRIETARY TO RF INDUSTRIES.
 ANY UNAUTHORIZED USE OF THIS DRAWING IS EXPRESSLY PROHIBITED
 WITHOUT WRITTEN PERMISSION FROM RF INDUSTRIES.
 ANY VIOLATION IS PUNISHABLE UNDER U.S. COPYRIGHT LAWS.

ALL DIMENSIONS ARE REFERENCE ONLY

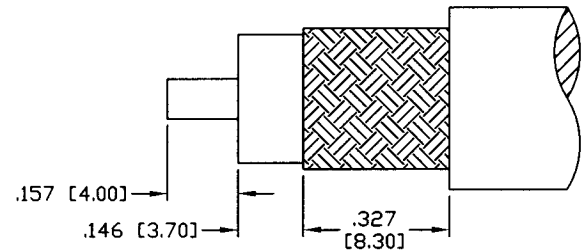
PART NO.		RT-1202-I		
REV	DESCRIPTION	DWN	DATE	APPROVED
-	ENGINEERING RELEASE	CZS	6/23/04	JDMc



RECOMMENDED CRIMP DIE: .128"



RECOMMENDED CRIMP DIE: .429"



RECOMMENDED STRIPPING DIMENSIONS

SPECIFICATIONS:

IMPEDANCE: 50 Ohms
 FREQUENCY RANGE: 0-7 GHz
 WORKING VOLTAGE: 500 V rms @ sea level
 INSULATION RESISTANCE: 5k M ohms min.
 TEMPERATURE RANGE: -65°C TO +85°C
 FOR BELDEN 8214, 9913, 9913F, 9914, RG-8/U TYPE,
 CAROL C1180, TIMES AA-5886 & LMR-400 CABLE

1	SHELL	1	BRASS	NICKEL, 100 μ "	008974	UNLESS OTHERWISE SPECIFIED:
2	BODY	1	BRASS	NICKEL, 100 μ "		
3	INSULATOR	1	PTFE	---		
4	FERRULE STUD	1	BRASS	NICKEL, 100 μ "		
5	GASKET	1	RUBBER	---		
6	RETAINING RING	1	BRASS	NICKEL, 100 μ "		
7	RING	1	DELFIN	---		
8	WASHER	1	BRASS	NICKEL, 100 μ "		
9	PIN	1	BRASS	GOLD, 3 μ "		
10	FERRULE	1	BRASS	NICKEL, 100 μ "		
11					DRAWN	7/16/04
12					CHECKED	7-16-04
13					ORJ DRAWN	
14					C. ZUNIGA	7/16/04
#	DESCRIPTION	QTY	MATERIAL	FINISH	APPROVALS	DATE

DIMENSIONS ARE IN INCHES AND [MILLIMETERS]
 UNLESS OTHERWISE NOTED
 TOLERANCES ARE:
 DECIMALS DIAMETER

RF connectors
 DIVISION OF RF INDUSTRIES, LTD.

7610 MIRAMAR RD
 SAN DIEGO, CA 92126
 (858) 549-6340
 (858) 549-6345 FAX

TNC PLUG, CRIMP
 REVERSE THREADS

SIZE	CABLE GROUP	DWG NO.	REV
A	I	RT-1202-I	-

SCALE: NTS CAD FILE OUTLINE SHEET 1 OF 1